

TELESCOPIC HANDLERS
TX130-45 | TX140-45
TX170-45

CASE
CONSTRUCTION



**RAISING CUSTOMER
EXPECTATIONS**

www.casece.com

EXPERTS FOR THE REAL WORLD
SINCE 1842

TELESCOPIC HANDLERS

TX130-45 | TX140-45 | TX170-45

SECURE BASE

Case TX telescopic handlers offer impressive stability through a combination of a long wheelbase, low boom pivot point and optimised counterweight. Total stability. Maximum lift capacity.

REACHING HIGH

Robust boom construction with powerful hydraulic cylinders offers excellent range of working heights up to 17 m. Hydraulic frame levelling, along with audible and visual safe load indication ensures secure placing of loads at any height or reach. Design integrity. Maximum capacity.

ALL TERRAIN CAPABILITY

Powershift transmissions handle high power delivery without heat build-up. Smooth gear shifting and three steering modes ensure that the operator can work in the toughest site conditions. Four wheel steering greatly reduces turning circle, while crab steer offers the perfect solution when working against obstacles. Outstanding manoeuvrability. Reliable components.

TOTAL CONTROL

With standard pilot controls for all hydraulic functions the Case TX telehandler is an easy machine to drive. Load sensing, flow sharing hydraulics, in combination with a smooth Powershift transmission, ensure independent movement of all hydraulic functions, with precision and accuracy. Low effort control lever reduces operator fatigue, ensuring high productivity and maximum safety throughout the working day. Smooth operation. Precision control.

MAINTENANCE ACCESS

Side-mounted engine with full length lift-up canopy ensures access for ground level servicing and regular maintenance. All filters and fill points easily accessible, for minimum downtime and maximum productivity. Main hydraulic valve mounted at the rear of the machine, can be reached through separate panel without having to move other components. Design integrity. Minimum downtime.





ATTACHMENT CARRIER

Case dealers offer a wide range of options, tyres and attachments to perfectly customise the machine to your individual requirements. Mechanical or hydraulic carriers can be specified along with optional sideshift capability. Customers can choose a carrier compatible with Case attachments or one designed to fit their existing buckets and work tools. Attachments include pallet forks, 4-in-1 buckets, crane booms, road sweepers, cement mixers and a range of personnel platforms, with or without radio control. Multiple use. Versatility built-in.

TELESCOPIC HANDLERS

TX130-45 | TX140-45 | TX170-45



TWO TELESCOPIC DESIGNS

The TX range uses robust telescopic booms with inherent rigidity and strength to allow many hours of safe lifting. All models are equipped with safety valves on the lift, tilt and stabiliser cylinders, to prevent the boom dropping in the case of hose failure.

Visual and audible warning devices signaling overload are incorporated in the upper right corner of all cabs. On TX130-45 and above models, a strict safety device automatically prevents any hazardous extension of the mast. This feature makes all models suitable for the use of man platforms.

HIGH LOAD CAPACITIES

There is a Case TX telehandler for every task on the construction site. Customers can choose from 13 m, 14 m and 17 m working heights, with lifting capacities of 4.5 tons. Wide stabiliser legs are provided for maximum stability while lifting on the heavier models, giving Case some of the highest lifting capacities in the market.

HIGH MANOEUVRABILITY DRIVELINE

TX machines are incredibly agile, moving rapidly about the site thanks to a four-speed Powershift transmission and the easy to use three mode steering system. This combination of proven components ensures that there is no costly heat build-up in the transmission, even when travelling at high speeds on the road, where permitted. The use of flow sharing hydraulics, along with the Powershift transmission, ensures precision work can be accomplished with ease. The single servo lever that controls all hydraulic functions also has a transmission cut-out button, giving the operator total control of the machine without having to move a hand away from the servo or the steering wheel. This ensures maximum safe use on site and reduced operator effort, cutting operator fatigue and boosting productivity.



OPERATOR'S CAB

From its initial conception the Case telehandler cab has led the field in terms of ergonomics, visibility and safety. Its curved top with wrap around glazing offers unparalleled visibility of the boom and the load. A glazed door, with opening window, provides easy access to the cab and the deep glass, low engine canopy and low boom pivot point ensure an excellent view all around the machine. This is a major contributing factor to increased site safety and prevents damage to the machine when manoeuvring in confined spaces. All instruments are placed in a low level console to further boost visibility to the front of the machine. Simple, single lever servo controls are easy to use and the operator has plenty of space in the ROPS/FOPS cab to remain comfortable throughout the day.

TELESCOPIC HANDLERS

TX130-45 | TX140-45 | TX170-45



ENGINE

The TX telescopic handler range is powered by a 4.5 litre Case turbo engine. All machines are equipped with a low emission Tier III climate friendly engine.

Mounted on the side of the machine, the engine is easily accessible for all regular service and maintenance work, with filters and fill points all reached from ground level. Long service intervals and compatibility with the Case electronic service tool (EST) ensure minimum downtime, increasing profitability and keeping your machines at work.



FLOW SHARING HYDRAULICS

A fully load sensing hydraulic system, with flow sharing technology, allows independent use of all hydraulic functions. All major operations, such as lift and lower and forward reach, are controlled from a single servo lever, allowing the operator to keep one hand on the steering wheel when manoeuvring to a loading position. The flow sharing system ensures smooth lifting and reach and provides power when working with varied attachments. The main hydraulic valve is mounted at the rear of the machine and is fully accessible through a separate cover, without having to remove additional components, cutting diagnostic and maintenance time and boosting profitability.



POWERSHIFT 3 STEERING MODES

A proven Powershift transmission delivers four forward and three reverse speeds, with no heat build up despite high manoeuvring speeds. Working in combination with the flow sharing hydraulic system, the Powershift transmission offers precise control with high tractability, ideal for use on hard standing or in tough construction project conditions.

Three mode steering, offering two wheel, four wheel and crab modes, ensures even the largest model in the range has compact and agile manoeuvring dimensions. Four wheel steering provides the smallest possible turning radius, while crab steer offers the perfect solution when working alongside structures or for backfilling when working with a bucket.

SPECIFICATIONS

TX 130-45

ENGINE

Make _____ CNH U.K. Limited (for Case)
 EPA** family _____ 8NHXL04.5DAA
 Model _____ 445TA/MLE
 Engine type _____ F4GE9484J*J600
 Net Power _____ 118 hp/88 kW @2200 rpm
 _____ (According to 80/1269 CEE)
 Max Torque _____ 515 Nm@1250 rpm
 Turbo aftercooled, Tier 3, 4 cylinder, 2 valves per cylinder.

TRANSMISSION

Type _____ Powershift
 Forward/Reverse speeds _____ 4/3
 Maximum speed on road*** _____ 35 km/h

HYDRAULIC SYSTEM

Type _____ Load Sensing
 Hydraulic controls _____ Servo
 Simultaneous movement _____ yes
 Hydraulic pump _____ gear
 Hydraulic flow _____ 115 l/min
 Hydraulic pressure _____ 240 bar
 Mast extension _____ Cylinders

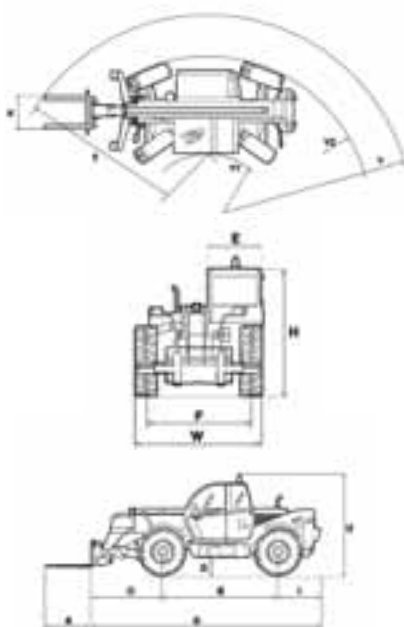
PERFORMANCE

TX130-45 WITH LARGE STABILIZERS		
Maximum lift capacity (at 500 mm from fork heel)	kg	4500
Maximum lift height	m	12.45
Lift capacity at maximum reach	kg	1800
Lift capacity at maximum lift height	kg	4000
Reach fully raised	m	0.00
Maximum forward reach	m	8.65
Height with max load	m	8.20
Breakout force	daN	7750
Operating weight	kg	10630

DIMENSIONS

(WITH MITAS 405/70X24)

A	1200 mm
B	3120 mm
C	1617 mm
D	5850 mm
E	1000 mm
F	2050 mm
G	402 mm
H	2450 mm
I	1100 mm
K	1260 mm
T	4396 mm
U	2730 mm
V	5204 mm
V1	980mm
V2	3890mm
W	2445mm



CAPACITIES

Fuel tank _____ 135 l
 Hydraulic tank _____ 180 l

TYRES

13.0 x 24 _____ GOOD-YEAR
 15.5 X 25 _____ MICHELIN
 405/70 x 24 _____ MITAS
 400/80 x 24 _____ DUNLOP

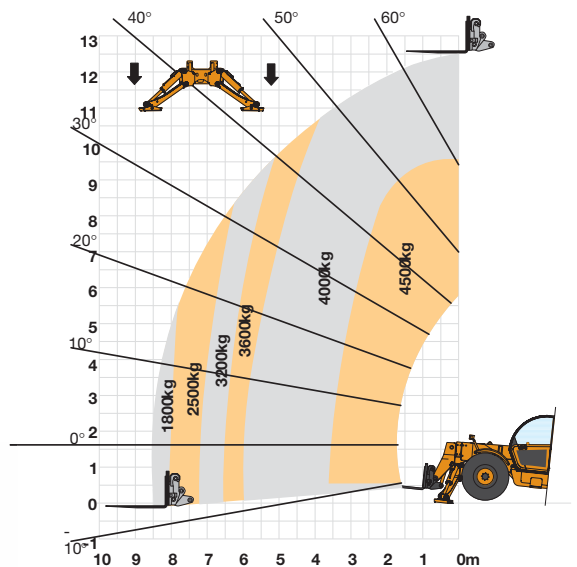
NOISE

Internal _____ 77 LpA
 External _____ 103 LpA

**EPA: Environmental Protection Agency

*** Max. speed limited according to the country's legislations

IMPORTANT NOTE: The TX130-45 model is suitable for the use of a manplatform (the TX130-40 is not)



SPECIFICATIONS

TX 140-45

ENGINE

Make _____ CNH U.K. Limited (for Case)
 EPA** family _____ 8NHXL04.5DAA
 Model _____ 445TA/MLE
 Engine type _____ F4GE9484J*J600
 Net Power _____ 118 hp/88 kW @2200 rpm (According to 80/1269 CEE)
 Max Torque _____ 515 Nm@1250 rpm
 Turbo aftercooled, Tier 3, 4 cylinder, 2 valves per cylinder

TRANSMISSION

Type _____ Powershift
 Forward/Reverse speeds _____ 4/3
 Maximum speed on road*** _____ 35 km/h

HYDRAULIC SYSTEM

Type _____ Load Sensing
 Hydraulic controls _____ Servo
 Simultaneous movement _____ yes
 Hydraulic pump _____ gear
 Hydraulic flow _____ 115 l/min
 Hydraulic pressure _____ 240 bar
 Mast extension _____ Cylinders

PERFORMANCE

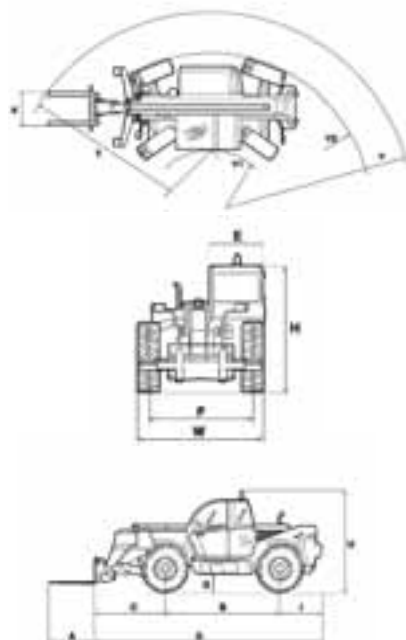
TX 140-45 WITH WIDE STABILIZERS		
Maximum lift capacity (at 500 mm from fork heel)	kg	4500/4000*
Maximum lift height	m	13.55/13.30*
Lift capacity at maximum reach	kg	1500/650*
Lift capacity at maximum lift height	kg	3600/1700*
Reach fully raised	m	0.30/1.00*
Maximum forward reach	m	9.33/9.33*
Height with max load	m	11.40/7.30*
Breakout force	daN	7750/7750*
Operating weight	kg	11460

* Machine with stabilizers up

DIMENSIONS

(WITH MITAS 405/70X24)

A	1200 mm
B	3120 mm
C	1902 mm
D	6135 mm
E	1000 mm
F	2050 mm
G	402 mm
H	2450 mm
I	1100 mm
K	1260 mm
T	4598 mm
U	2730 mm
V	5445 mm
V1	980mm
V2	3890mm
W	2445mm



CAPACITIES

Fuel tank _____ 135 l
 Hydraulic tank _____ 180 l

TYRES

13.00 x 24 _____ GOOD-YEAR
 15.5 x 25 _____ MICHELIN
 405/70 x 24 _____ MITAS
 400/80 x 24 _____ DUNLOP

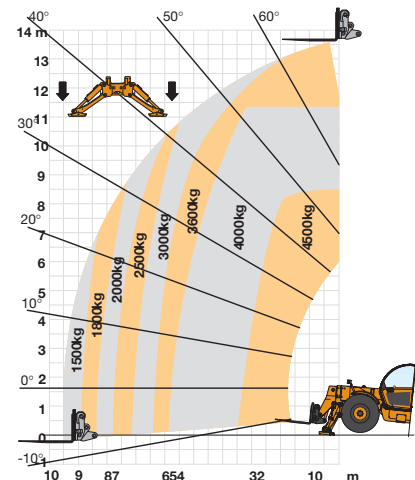
NOISE

Internal _____ 77 LpA
 External _____ 103 LpA

**EPA: Environmental Protection Agency

*** Max. speed limited according to the country's legislations

IMPORTANT NOTE: This model is not suitable for manplatform



TELESCOPIC HANDLERS

TX 170-45

ENGINE

Make _____ CNH U.K. Limited (for Case)
 EPA** family _____ 8NHXL04.5DAA
 Model _____ 445TA/MLE
 Engine type _____ F4GE9484J*J600
 Net Power _____ 118 hp/88 KW @2200 rpm (According to 80/1269 CEE)
 Max Torque _____ 515 Nm@1250 rpm
 Turbo aftercooled, Tier 3, 4 cylinder, 2 valves per cylinder

TRANSMISSION

Type _____ Powershift
 Forward/Reverse speeds _____ 4/3
 Maximum speed on road*** _____ 35 km/h

HYDRAULIC SYSTEM

Type _____ Load Sensing
 Hydraulic controls _____ Servo
 Simultaneous movement _____ yes
 Hydraulic pump _____ gear
 Hydraulic flow _____ 115 l/min
 Hydraulic pressure _____ 240 bar
 Mast extension _____ Cylinders

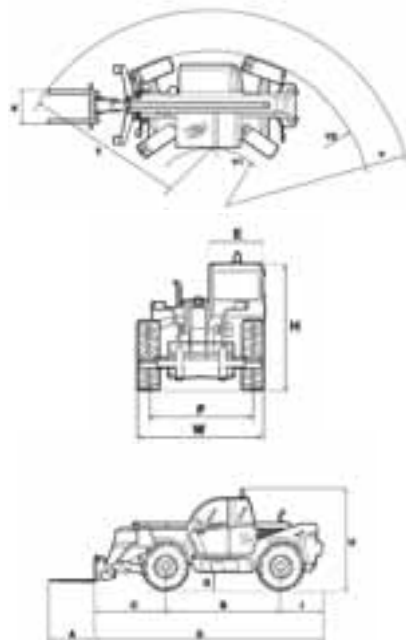
PERFORMANCE

TX 170-45 WITH WIDE STABILISERS DOWN		
Maximum lift capacity (at 500 mm from fork heel)	kg	4500
Maximum lift height	m	16.60
Lift capacity at maximum reach	kg	450
Lift capacity at maximum lift height	kg	3000
Reach fully raised	m	1.00
Maximum forward reach	m	12.54
Height with max load	m	7.95
Breakout force	daN	7750
Operating weight	kg	12300

DIMENSIONS

(WITH MITAS 405/70X24)

A	1200 mm
B	3120 mm
C	1730 mm
D	5900 mm
E	1000 mm
F	2050 mm
G	402 mm
H	2450 mm
I	1050 mm
K	1260 mm
T	4600 mm
U	2730 mm
V	5445 mm
V1	980mm
V2	3890mm
W	2445mm



CAPACITIES

Fuel tank _____ 135 l
 Hydraulic tank _____ 180 l

TYRES

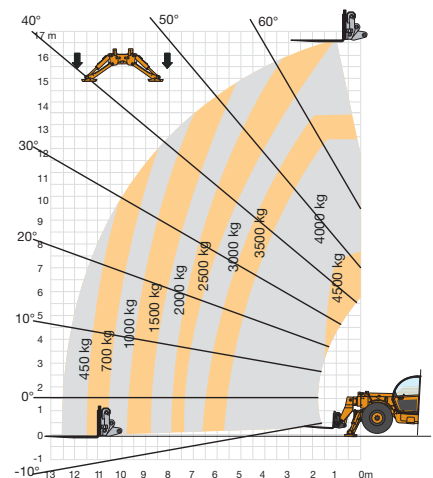
13.00 x 24 _____ GOOD-YEAR
 15.5 X 25 _____ MICHELIN
 405/70 x 24 _____ MITAS
 400/80 x 24 _____ DUNLOP

NOISE

Internal _____ 77 LpA
 External _____ 103 LpA

**EPA: Environmental Protection Agency

*** Max. speed limited according to the country's legislations



TELESCOPIC HANDLERS

TX130-45 | TX140-45 | TX170-45







PARTS AND SERVICE

Wide network of customer support across the world.

No matter where you work, we're here to support and protect your investment and exceed your expectations. You can count on Case and your Case dealer for full-service solutions-productive equipment, expert advice, flexible financing, genuine Case parts and fast service. We're here to provide you with the ultimate ownership experience. To locate a Case dealer or learn more about Case equipment or customer service, go to www.casece.com

NOTE: CASE provides specific outfits for various countries and many optional fittings (OPT). The illustrations on this or other leaflets may relate to standard or optional fittings. Please consult your CASE dealer for any information in this regard and any possible updating on components. CNH Industrial reserves the right to modify machine specifications without incurring any obligation relating to such changes.

